



Technical data:

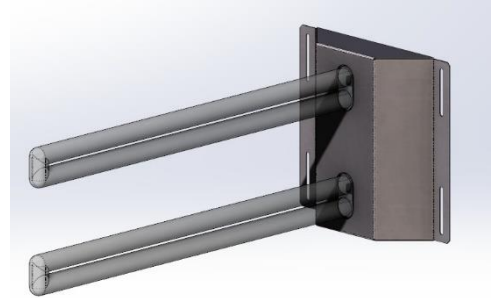
DCA 36-A2 220 316L

Areas of application:

- Efficient disinfecting of air, water and surfaces

Product family benefits:

- Effective and environment-friendly disinfection without chemical
- Low mercury content
- Long lifetime due to specific coating
- Ozone-free
- Dominant wavelength: 254 nm (OFR version)
- Material Stainless Steel 1.4104

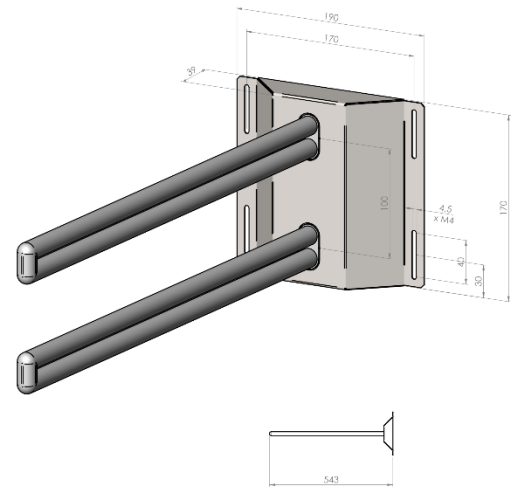


Electrical data:

- | | |
|-------------------|--------|
| ▪ Nominal voltage | 220 V |
| ▪ Lamp voltage | 106 V |
| ▪ Nominal current | 0.88 A |
| ▪ Lamp current | 0.88 A |
| ▪ Nominal wattage | 72 W |
| ▪ Lifespan | 9000 h |

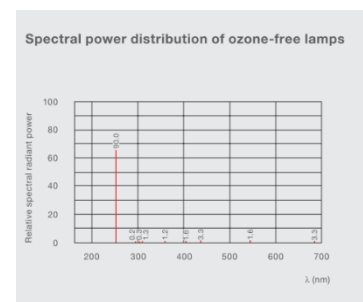
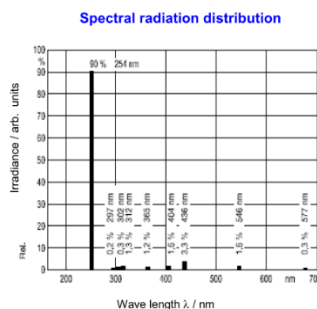
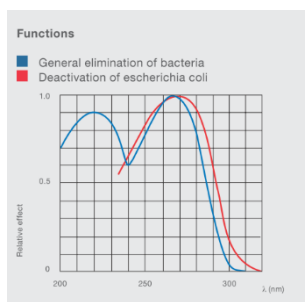
Photometrical data (1 lamp):

- | | |
|-----------------------------------|---------|
| Luminous intensity | 7800 cd |
| Radiated power 200...280 nm (UVC) | 10.8 W |



Safety advice:

- DCA germicidal lamps emit high-intensity UV radiation that can cause sunburn and conjunctivitis.
- The skin and eyes must therefore not be exposed to direct or reflected unfiltered radiation.



Disclaimer

Subject to change without notice. Errors and omission excepted. Always make sure to use the most recent release.