



## Technical data:

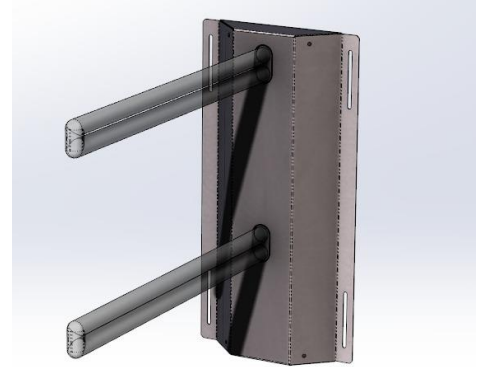
### DCA 36-B2 220 316L

#### Areas of application:

- Efficient disinfecting of air, water and surfaces

#### Product family benefits:

- Effective and environment-friendly disinfection without chemical
- Low mercury content
- Long lifetime due to specific coating
- Ozone-free
- Dominant wavelength: 254 nm (OFR version)
- Material Stainless Steel 1.4104

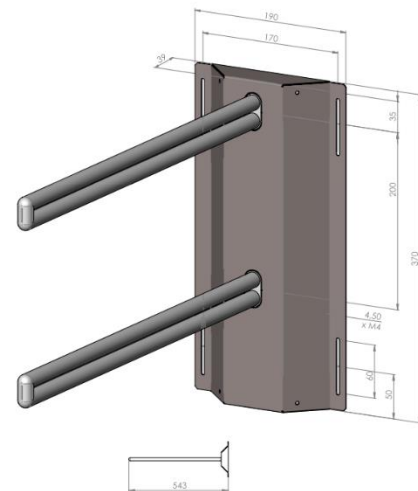


#### Electrical data:

- |                   |        |
|-------------------|--------|
| ▪ Nominal voltage | 220 V  |
| ▪ Lamp voltage    | 106 V  |
| ▪ Nominal current | 0.88 A |
| ▪ Lamp current    | 0.88 A |
| ▪ Nominal wattage | 72 W   |
| ▪ Lifespan        | 9000 h |

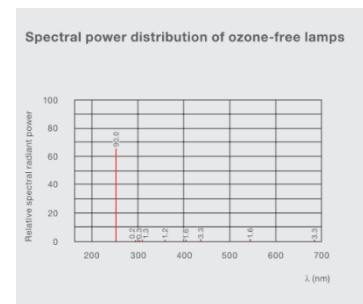
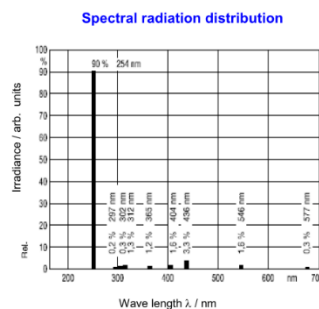
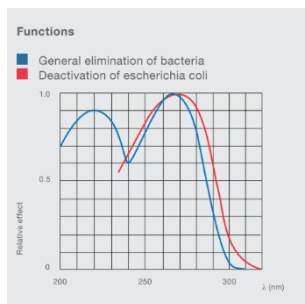
#### Photometrical data (1 lamp):

- |                                   |         |
|-----------------------------------|---------|
| Luminous intensity                | 7800 cd |
| Radiated power 200...280 nm (UVC) | 10.8 W  |



#### Safety advice:

- DCA germicidal lamps emit high-intensity UV radiation that can cause sunburn and conjunctivitis.
- The skin and eyes must therefore not be exposed to direct or reflected unfiltered radiation.



#### Disclaimer

Subject to change without notice. Errors and omission excepted. Always make sure to use the most recent release.